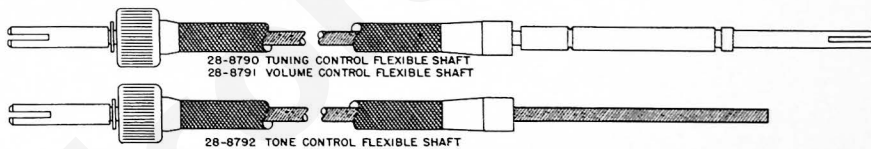
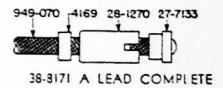
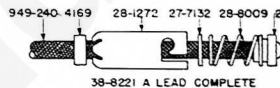
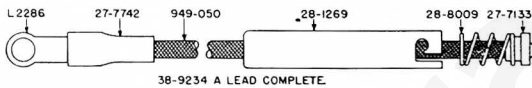
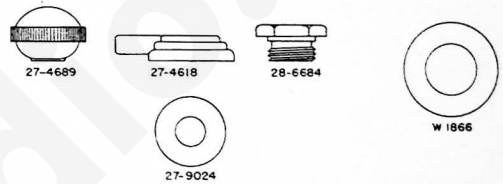
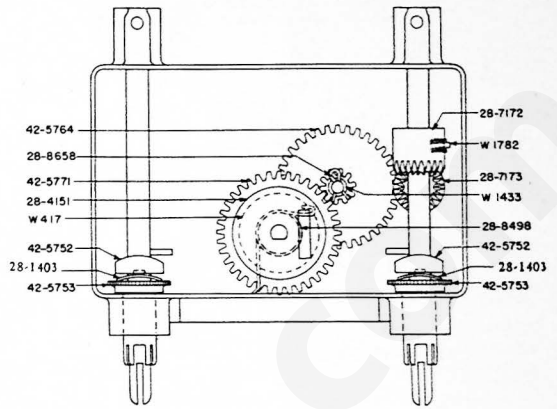
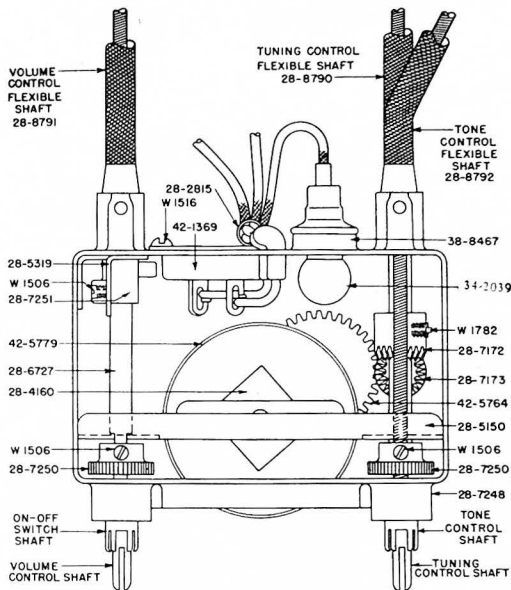


STUDEBAKER CONTROL---MODEL S-1526



PARTS LIST AND PRICES (Prices Subject to Change Without Notice)

PART NUMBER	DESCRIPTION	LIST PRICE	PART NUMBER	DESCRIPTION	LIST PRICE
L-2286	Lug	\$.02	28-5319	Switch Stop	•
W-417	Washer	per 100 .50	28-6684	Gland Nut	.10
W-1433	Washer	per 100 .15	28-6727	Switch Operating Shaft	•
W-1506	Set Screw	per 100 1.80	28-7172	Miter Gear	.10
W-1516	Screw	per 100 1.30	28-7173	Miter Idler Gear	.10
W-1782	Set Screw	per 100 2.50	28-7248	Control Housing	•
W-1866	Washer	per 100 1.00	28-7250	Gear	.10
4169	Rubber Washer	per 100 1.20	28-7251	Switch Lever	.15
27-4618	Switch & Tone Knob	.25	28-8009	Spring	per 100 .50
27-4689	Tuning & Volume Knob	.15	28-8498	Anti Backlash Spring	.10
27-7132	Washer	per 100 .40	28-8658	Spring	.03
27-7133	Ferrule	.01	28-8790	Tuning Shaft	.90
27-7182	Felt Washer	per 100 .30	28-8791	Volume Shaft	.90
27-7742	Sleeve	•	28-8792	Tone Shaft	.90
27-9024	Washer	per 100 .40	34-2039	Pilot Lamp	.09
28-1269	Fuse Housing	.01	38-8171	"A" Lead	.10
28-1270	Housing	.01	38-8221	"A" Lead	.30
28-1272	Housing	per 100 .85	38-8467	Pilot Lamp Assembly	.30
28-1403	Spring	per 100 1.25	38-9234	"A" Lead	•
28-2815	Clamp	.01	42-1369	On-Off Switch	.35
28-4151	Friction Washer	.02	42-5752	Retainer	.15
28-4160	Friction Spring	.01	42-5753	Gear & Sleeve	.20
28-5149	Cover	.10	42-5764	Intermediate Gear	.20
28-5150	Plate	.05	42-5771	Drum Shaft & Gear	.15
			42-5779	Scale Assembly	.35

*Prices not available at this time.